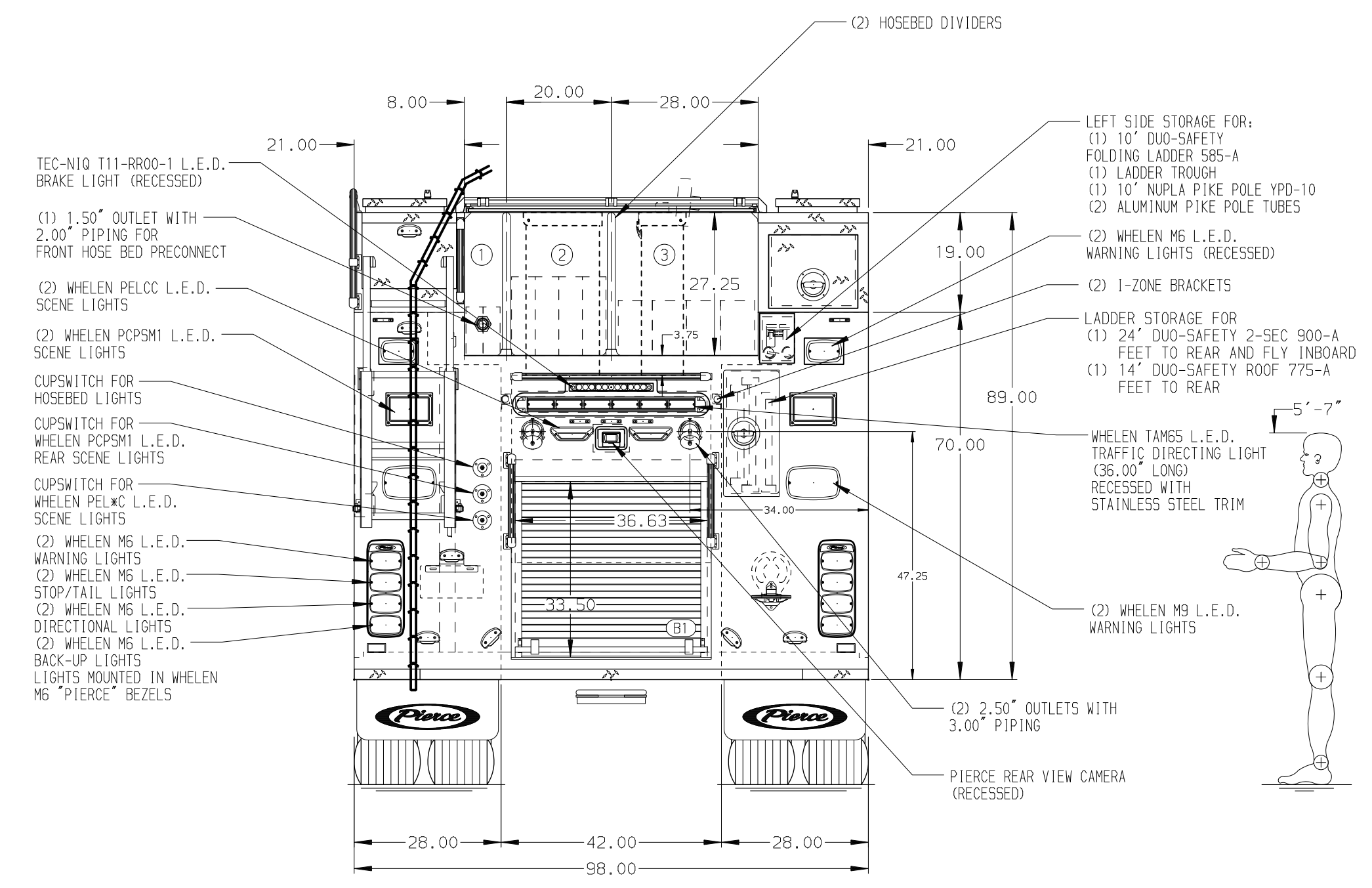
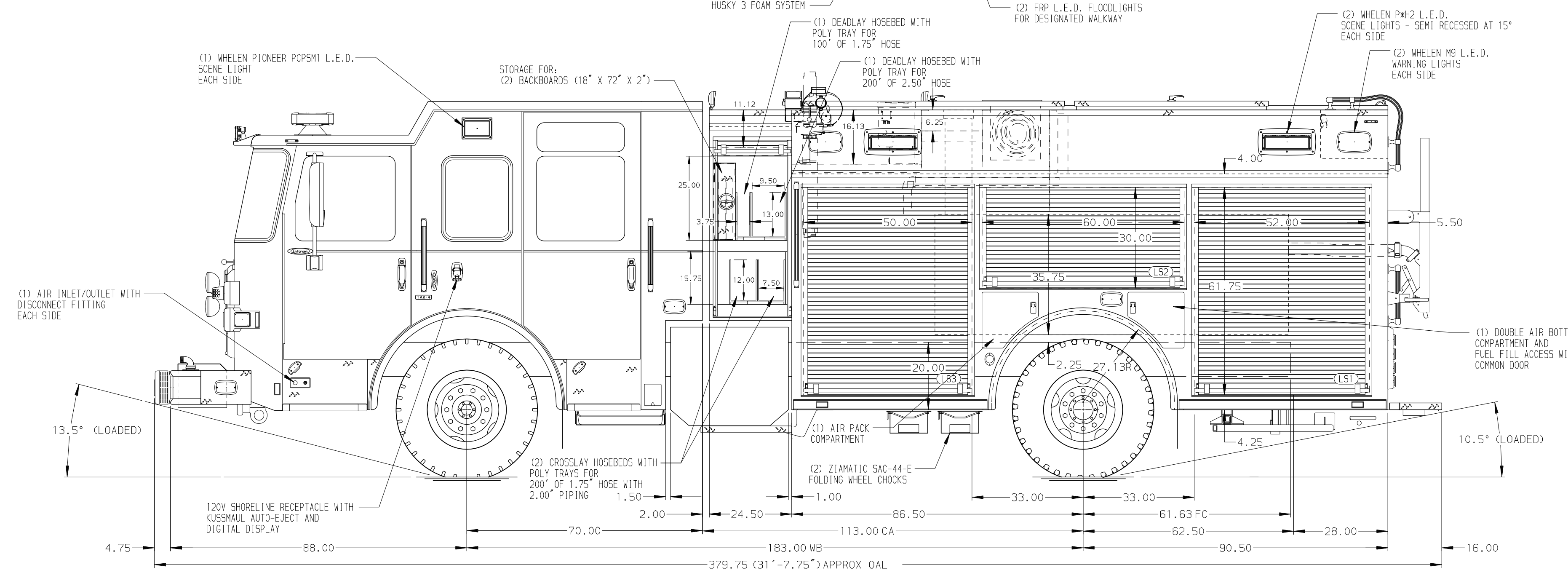


HOSEBED CAPACITIES

- ① - 200' OF 1.75\"/>



ALUMINUM BODY

SIDE ROLL AND FRONTAL IMPACT PROTECTION

NOTE
DIMENSIONS SHOWN ARE APPROXIMATE AND ARE SUBJECT TO MINOR DEVIATIONS AS MAY OCCUR OR BE NECESSARY IN CONSTRUCTION. MINOR DETAILS NOT SHOWN.

1. PACCAR DEF TANK MOUNTED UNDER CAB ON THE DRIVER'S SIDE
2. BATTERY CHARGER LOCATED IN COMPARTMENT PER ORDER
3. DUAL L.E.D. LIGHT STRIPS LOCATED IN HOSE BED
4. ELECTRIC DOOR LOCKS ON BODY DOORS LOCATED PER ORDER
5. DUAL L.E.D. LIGHT STRIPS LOCATED ON COMPARTMENT DOORS PER ORDER
6. L.E.D. LIGHT STRIPS LOCATED IN HATCH COMPARTMENTS PER ORDER
7. NINE FULL WIDTH/FULL DEPTH ADJUSTABLE SHELVES LOCATED IN COMPARTMENTS PER ORDER
8. ONE TILT OUT/SLIDE OUT ADJUSTABLE TRAY LOCATED IN COMPARTMENT PER ORDER
9. ONE FLOOR MOUNTED SLIDE OUT TRAYS LOCATED IN COMPARTMENTS PER ORDER
10. ONE CTECH DRAWER INSERT LOCATED IN COMPARTMENT PER ORDER
11. ONE SLIDE OUT TOOLBOARD WITH PAC TRAC LOCATED IN COMPARTMENT PER ORDER
12. PARTITION BETWEEN COMPARTMENTS LST/B1 AND RST/B1
13. THREE VERTICAL PARTITIONS LOCATED IN COMPARTMENTS PER ORDER

REV	DATE	BY	CH	ENFORCER
09AUG24	SAM	DTJ		CHASSIS DATA
29APR24	SAM	DTJ		MAKE
21MAR24	SAM	DTJ		PIERCE
15DEC23	SAM	WKL		MODEL

		JOB NO.	38460
		SCALE	DATE
TITLE	1500-D-520P, 500G WATER W/20G FOAM, 177\"/>		
FOR	PECHANGA FIRE DEPARTMENT TEMECULA, CALIFORNIA	DRAWN BY	08DEC23
DWG NO.	38460AD	CHECKED BY	08DEC23
		SHEET SIZE	SHEET NO.
		D	1 OF 1