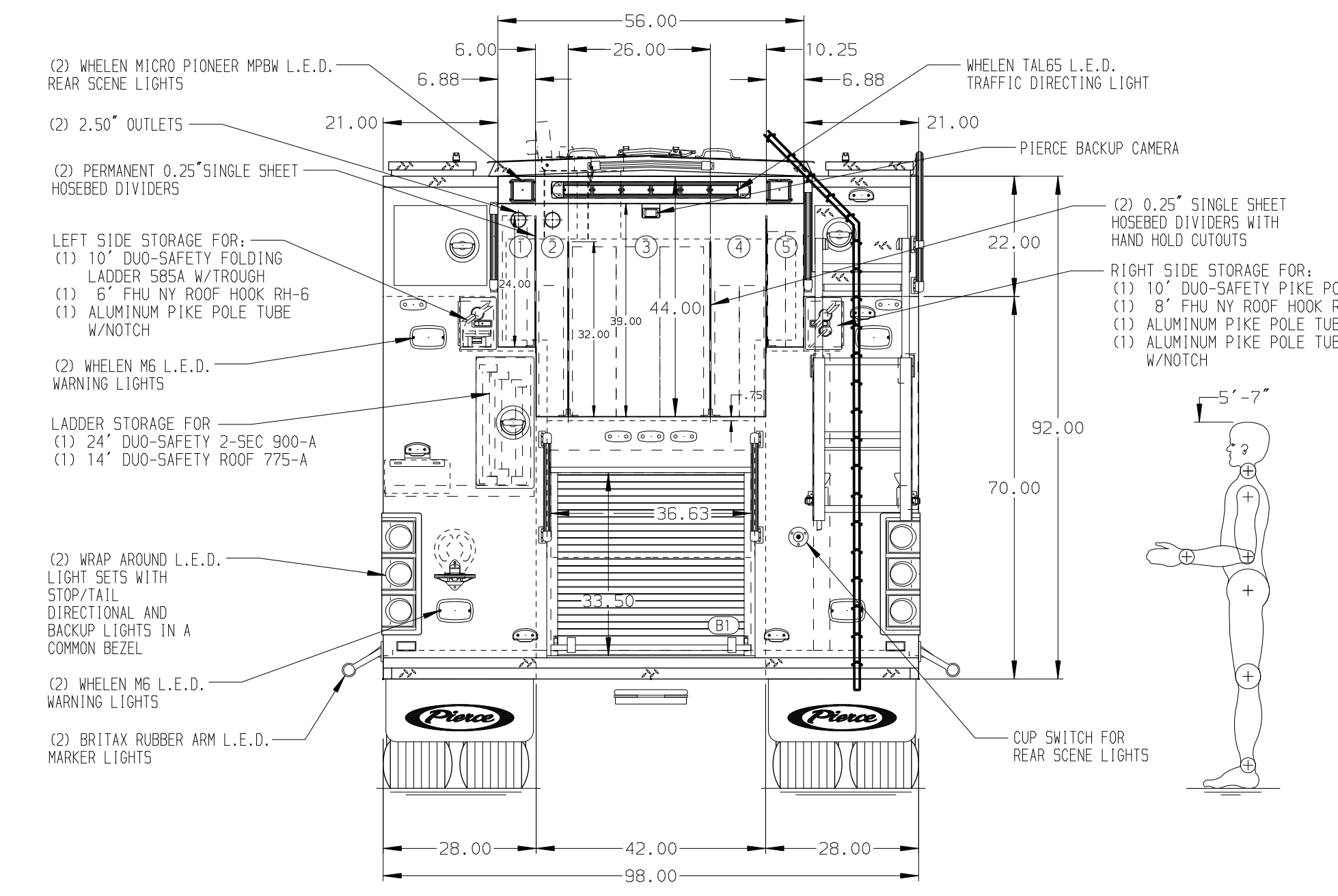


- HOSEBED CAPACITIES
- ① - 200' OF 2.50" DJP HOSE
 - ② - 200' OF 2.50" DJP HOSE
 - ③ - 800' OF 5.00" DJP HOSE
 - ④ - 400' OF 2.50" DJP HOSE
 - ⑤ - 400' OF 1.75" DJP HOSE



ALUMINUM BODY

SIDE ROLL AND FRONTAL IMPACT PROTECTION

NOTE
DIMENSIONS SHOWN ARE APPROXIMATE AND ARE SUBJECT TO MINOR DEVIATIONS AS MAY OCCUR OR BE NECESSARY IN CONSTRUCTION. MINOR DETAILS NOT SHOWN.

1. AIR OUTLET WITH SHUT OFF VALVE LOCATED AT DRIVER'S SIDE PUMP PANEL
2. BATTERY CHARGER INDICATOR BEHIND DRIVER'S SEAT DISPLAYED THROUGH WINDOW
3. BATTERY CHARGER INDICATOR BEHIND DRIVER'S SEAT DISPLAYED THROUGH WINDOW
4. TWO ADDITIONAL POLY TRAYS SHIPPED LOOSE
5. COLD CLIMATE UNDER PUMP HEAT ENCLOSURE
6. FLOOR MOUNTED TOOL TURNABLE LOCATED IN COMPARTMENT PER ORDER

REV	DATE	BY	CH	VELOCITY
07AUG24	SAM	GKH		CHASSIS DATA
02MAY24	SAM	GKH		MAKE
28MAR24	SAM	GKH		PIERCE
28MAR24	SAM	GKH		MODEL

		JOB NO.	38414
		SCALE	DATE
TITLE	1500-D-770P, 750G WATER W/20G FOAM, 189" PUC BODY		
FOR	(2) CROSSLAYS, LADDER RACK THRU BODY, DELUGE		
DWG NO.	GRAND CHUTE FIRE DEPARTMENT		
	GRAND CHUTE, WISCONSIN		
	38414AD		
	SHEET NO.	1 OF 1	