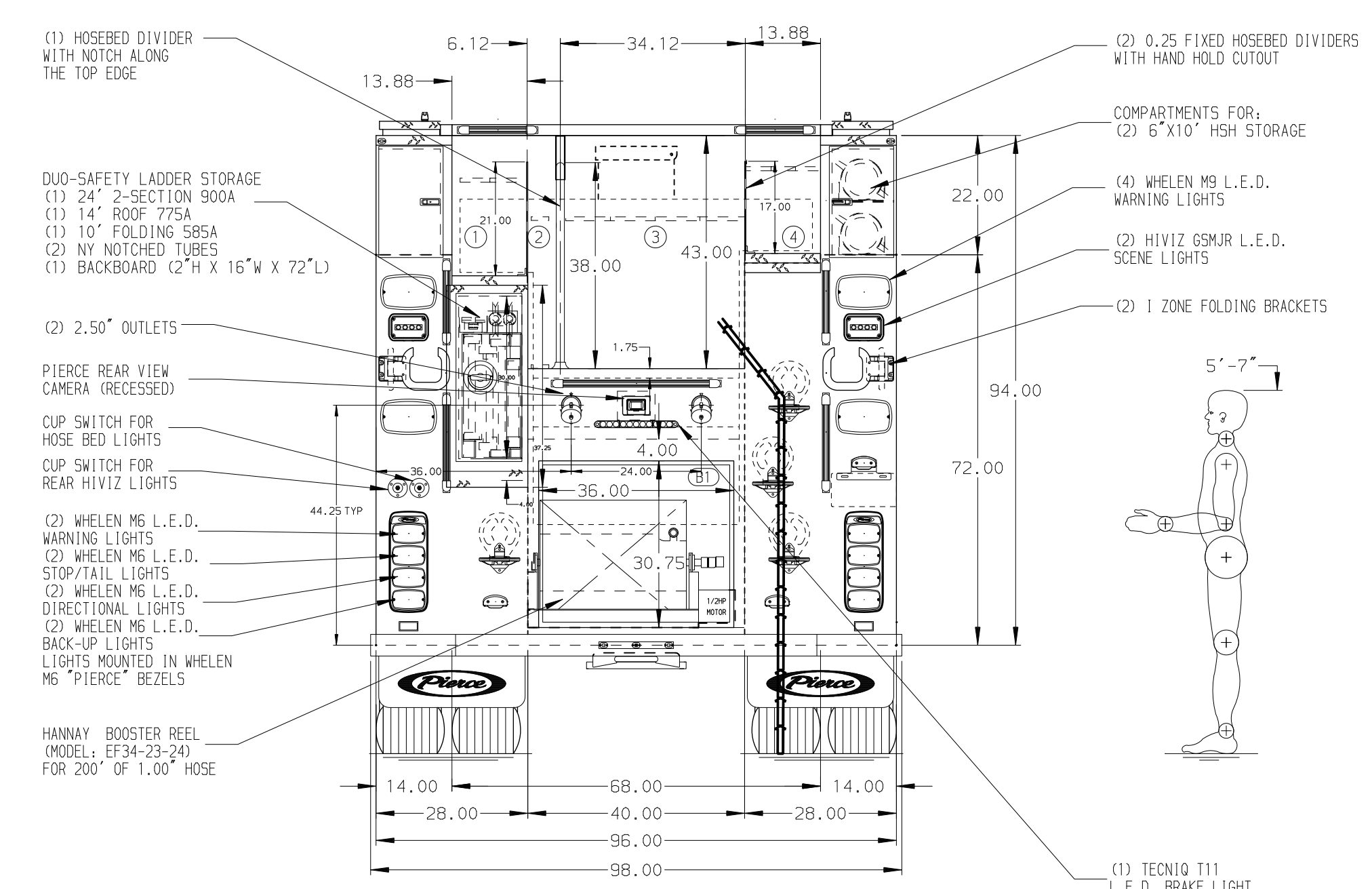
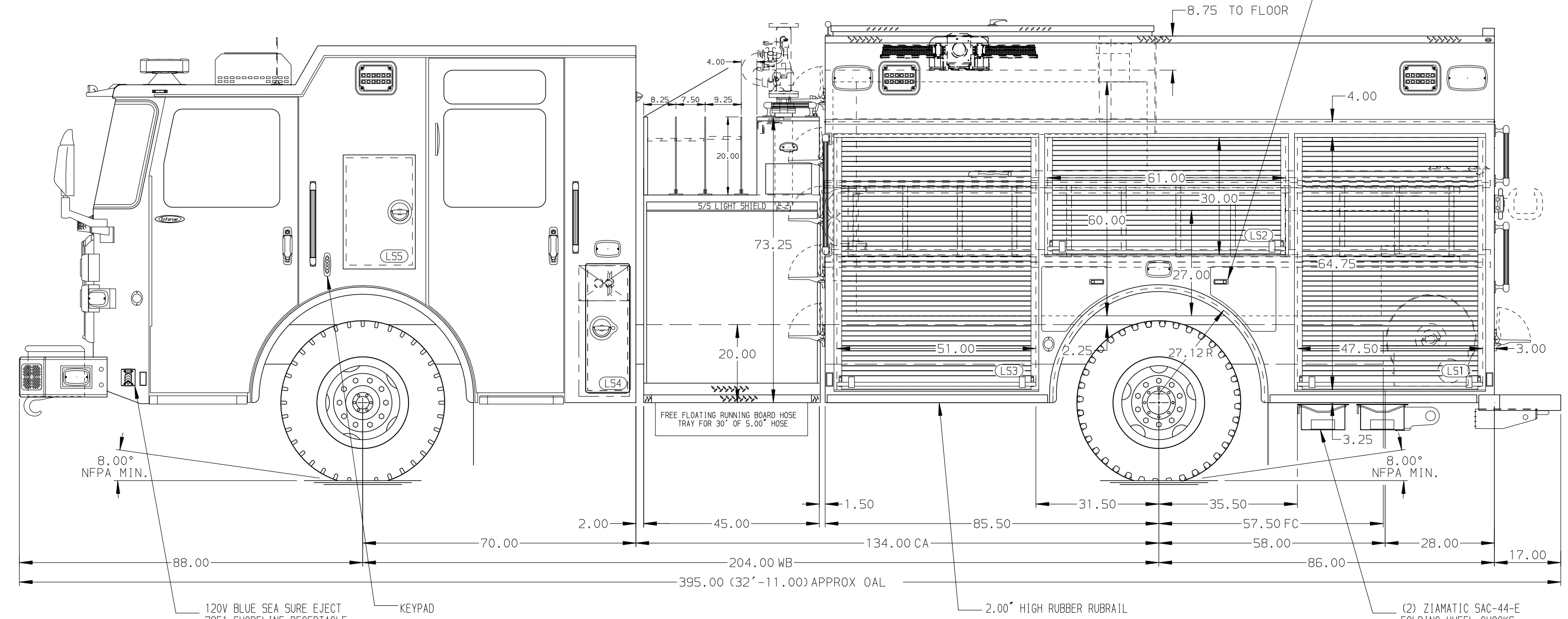


- HOSEBED CAPACITIES**
- ① - 300' OF 3.00" BIG-10 KEY HOSE (PER CUSTOMER)
 - ② - 300' OF 1.75" BIG-10 KEY HOSE (PER CUSTOMER)
 - ③ - 1000' OF 5.00" PRO-FLOW KEY HOSE (PER CUSTOMER)
 - ④ - 300' OF 2.50" BIG-10 KEY HOSE (PER CUSTOMER)



ALUMINUM BODY

NOTE
 DIMENSIONS SHOWN ARE APPROXIMATE AND ARE SUBJECT TO MINOR DEVIATIONS AS MAY OCCUR OR BE NECESSARY IN CONSTRUCTION. MINOR DETAILS NOT SHOWN.

- 1. (2) PIKE POLE TUBES LOCATED IN TRANSVERSE COMPARTMENT
- 2. WHELEN TRODELER L.E.D. LIGHT LOCATED AT THE FRONT OF THE HOSE BED
- 3. AIR INLET/OUTLET WITH MILTON "M" FITTING LOCATED PER ORDER

| | | | |
|----------------------------------|--|-----------|---|
| | | JOB NO. | 38304 |
| | | SCALE | DATE |
| Pierce MANUFACTURING INC. | | TITLE | 1500-D-1000P, 1000G WATER TANK, 171" FHFD RS, FDLER |
| | | FOR | (3) CROSSLAYS, DELUGE, LIGHT TOWER, BOOSTER REEL |
| | | FOR | MONTGOMERY COUNTY ESD #6 - PORTER |
| | | FOR | PORTER, TEXAS |
| | | DWG NO. | 38304AD-SH1 |
| | | SHEET NO. | 1 OF 2 |

| | | | |
|---------|------|-----|--------------|
| 30SEP24 | JJB | CHR | CHASSIS DATA |
| 03JUN24 | JJB | CHR | MAKE |
| 18MAR24 | LST | CHR | PIERCE |
| 05DEC23 | JJB | WKL | MODEL |
| REV | DATE | BY | CH ENFORCER |

| | | |
|------------|-----|---------|
| DRAWN BY | JJB | 21NOV23 |
| CHECKED BY | SJS | 21NOV23 |
| SHEET SIZE | D | 1 OF 2 |