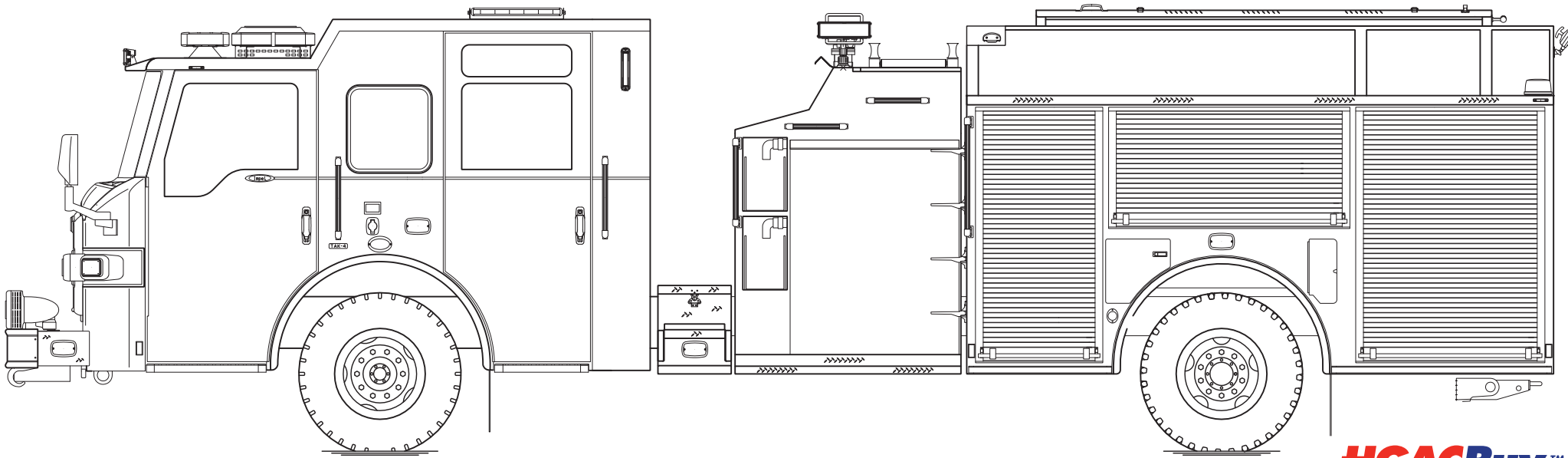




PERFORM. LIKE NO OTHER.™

Conway Fire Department, AR Impel® Top Mount Pumper



HGACBuy™
THE SMART PURCHASING SOLUTION

Chassis

Chassis	70" <i>Impel</i> cab w/10" raised roof
Seating Capacity	6
Overall Height	10'
Overall Length	33' 11"
GVW Rating	46,500 lb
Front Axle	TAK-4® Independent Front Suspension , 19,500 lb
Rear Axle	Meritor RS25-160, 27,000 lb
Engine	Cummins L9, 450 hp, 1250 lb-ft
Electrical System	Command Zone™ Advanced Electrical System

Body

Material	Aluminum
Compartmentation	152" long body full height
Doors	Rollup
Pump	Waterous, 1,500 gpm
Tank	750 gallons
Pump Panel	Pierce® Control Zone™
	45" pump panel w/19" walkway
Foam	Husky™ 12
Foam Cell	50 gallons

PUMPER

BODY

Medium Aluminum 2nd Gen Pumper

CHASSIS

Impel Chassis

CHASSIS

AXLE, FRONT, CUSTOM

19,500 Lb TAK-4 Axle

AXLE, REAR

27,000 Lb Meritor Axle

ENGINE

450 HP Cummins L9 Engine

TRANSMISSION

Allison 6th Gen, 3000 EVS P

BUMPER

19" Extended Stainless Steel

CAB

7010 Impel FR Cab

BODY

TOTAL TANK CAPACITY

800 Gallon Poly Tank

WATER CAPACITY

750 Gallons of Water

FOAM CELL

50 Gallon Foam Cell

COMPT, PUMPER, REAR

44.50" FF RollUp Rear Compt

COMPT, PUMPER, LEFT SIDE

152" RollUp Full Height Front & Rear FOLER

COMPT, PUMPER, RIGHT SIDE

152" RollUp Full Height Front & Rear FOLER

FIRE SUPPRESSION

PUMPHOUSE

45" Control Zone Top Mount

PUMP

1500 GPM Waterous CSU

CROSSLAYS, 1.50"

1.50" Crosslays Not Required

CROSSLAYS, 2.50"

2.50" Crosslay Not Required

SPEEDLAYS

(2) 1.50" W/Tray Std. Capacity

GENERATOR

Generator Not Required

FOAM SYSTEM

Husky 12 Single Agent Foam System

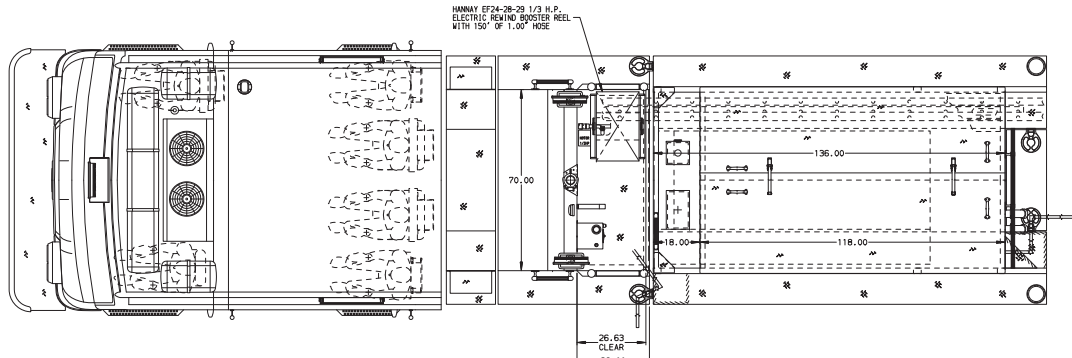
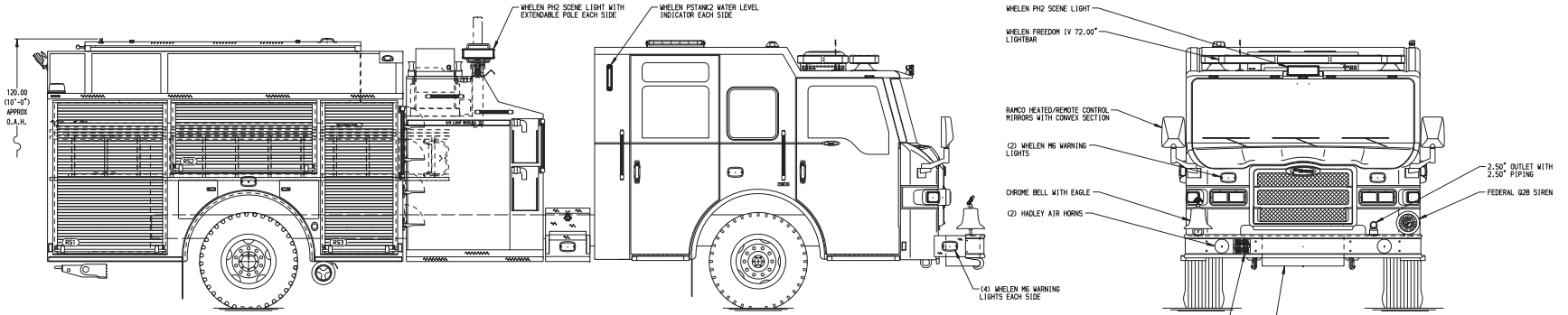
SAFETY

Side Roll and Frontal Impact Protection

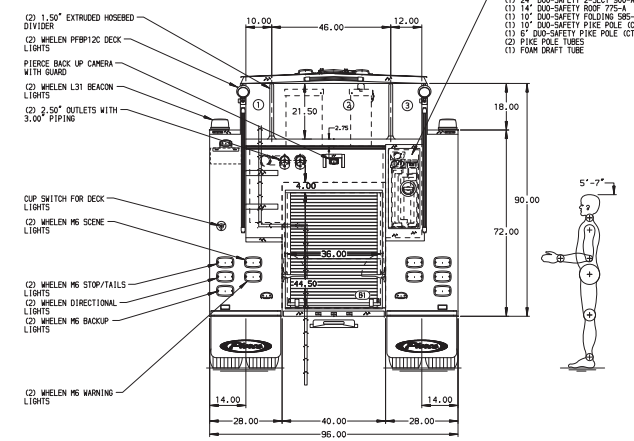
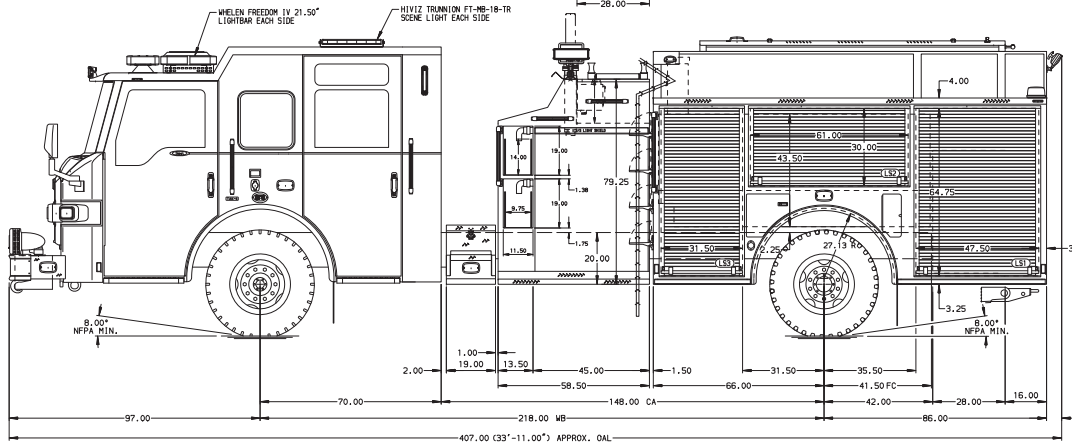
NOTE

DIMENSIONS SHOWN ARE APPROXIMATE AND ARE SUBJECT TO MINOR DEVIATIONS AS MAY OCCUR OR BE NECESSARY IN CONSTRUCTION. MINOR DETAILS NOT SHOWN.

- BATTERY CHARGER LOCATED PER ORDER
- BATTERY CHARGER INDICATOR LOCATED PER ORDER
- EIGHT FULL WIDTH/DEPTH ADJUSTABLE SHELVES WITH SIDES LOCATED PER ORDER
- FIRE FLOOR MOUNTED FULL WIDTH/DEPTH SLIDE-OUT TRAYS WITH SIDES LOCATED PER ORDER
- ONE SWING-OUT TOOLBOARD WITH PAC-TRAC LOCATED PER ORDER
- TWO PARTITIONS LOCATED PER ORDER
- PAC TRAC EQUIPMENT MOUNTING SYSTEM LOCATED PER ORDER
- ONE HORIZONTAL EQUIPMENT MOUNTING TRACK LOCATED PER ORDER



HOSEBED CAPACITY	
BED 1	200' OF 2.50" D.J. POLY HOSE (LOWER) 100' OF 1.75" D.J. POLY HOSE (UPPER)
BED 2	1000' OF 5.00" D.J. POLY HOSE
BED 3	400' OF 3.00" D.J. POLY HOSE



REV	DATE	BY	CH	IMPEL
01NOV24	BST	TDC		
20SEP24	BST	TDC		

Pierce MANUFACTURING INC.		JOB NO.	39510
		SCALE	1:24
		DATE	
CHASSIS DATA	TITLE	Pierce Pumper Approval Packet	
MAKE	FOR	Conway Fire Department	
MODEL	DWG NO.	39510AD	
REV	DATE	BY	CH
01NOV24	BST	TDC	
20SEP24	BST	TDC	
DRWN BY	BST	06AUG24	
CHKD BY	MMF	12AUG24	
SHEET NO.	D	SHEET NO.	1 of 1