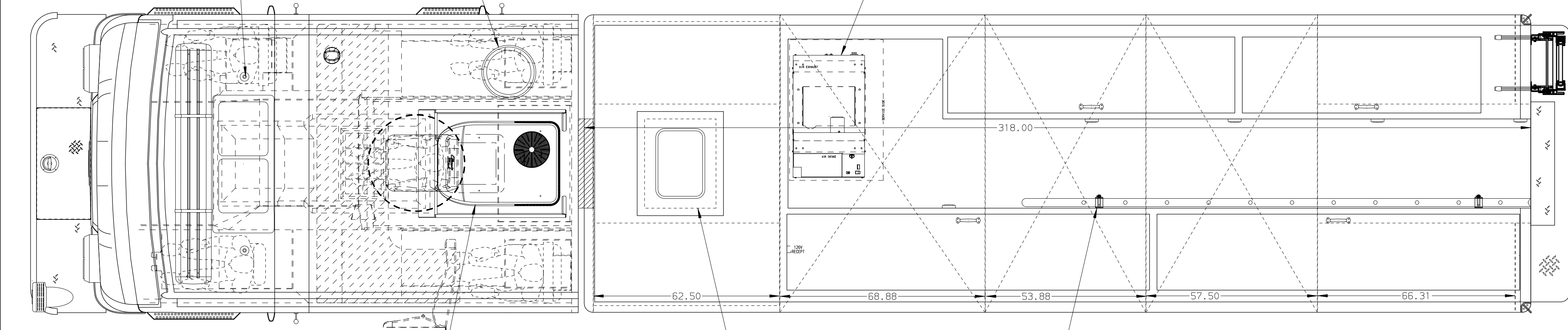
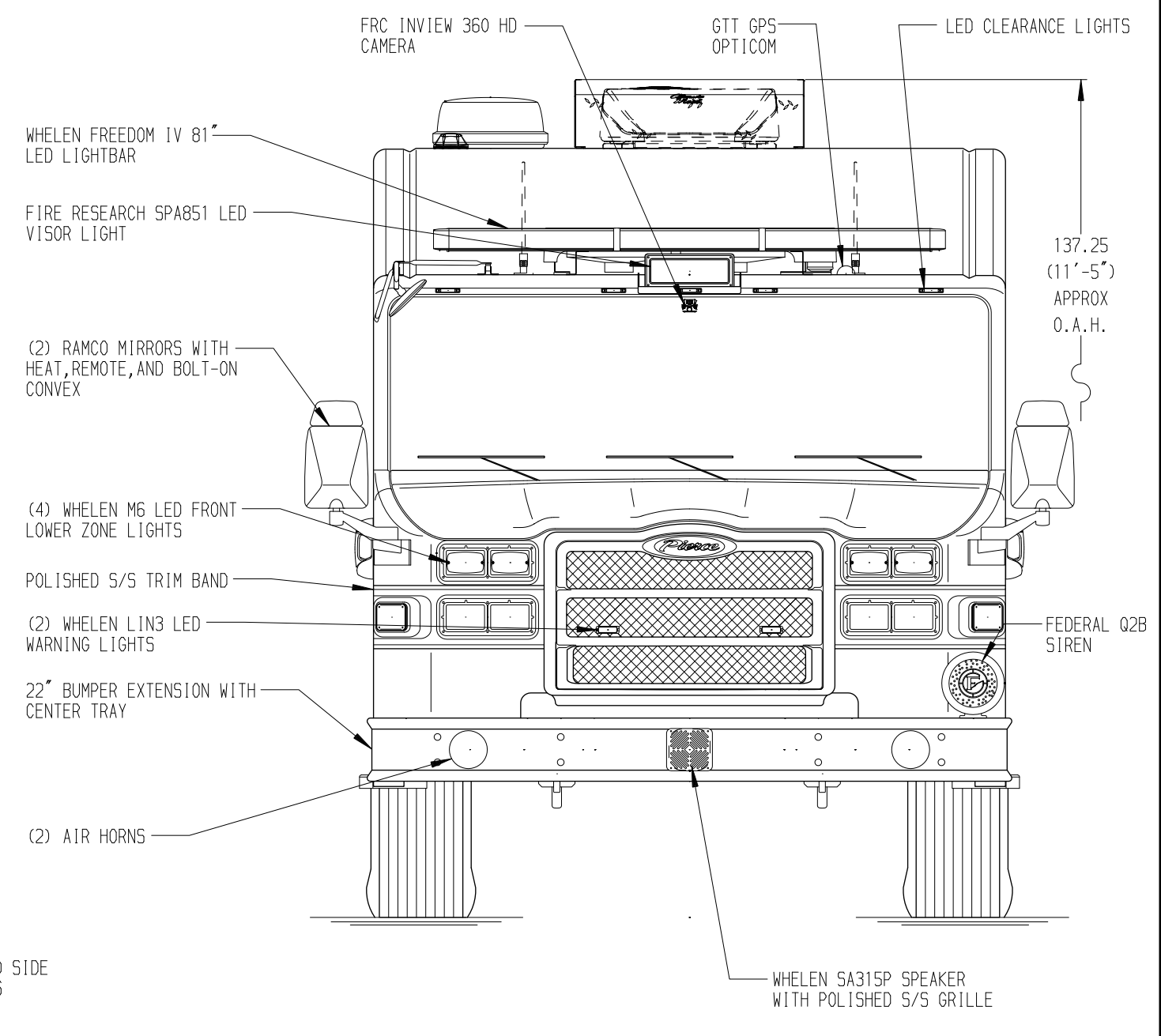
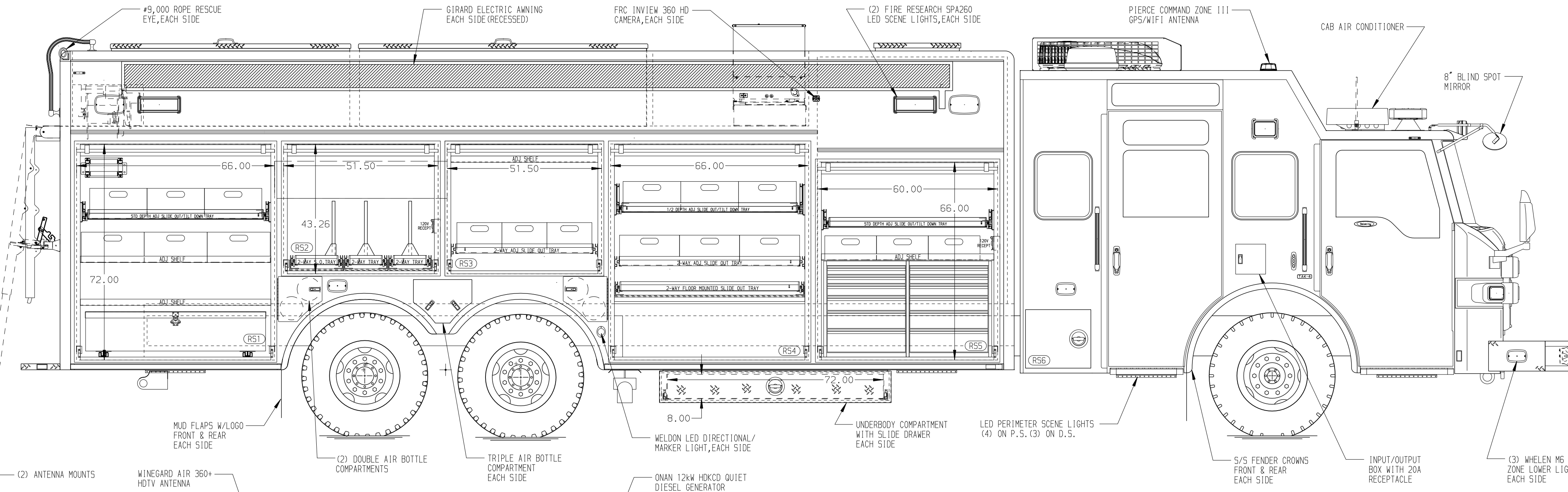
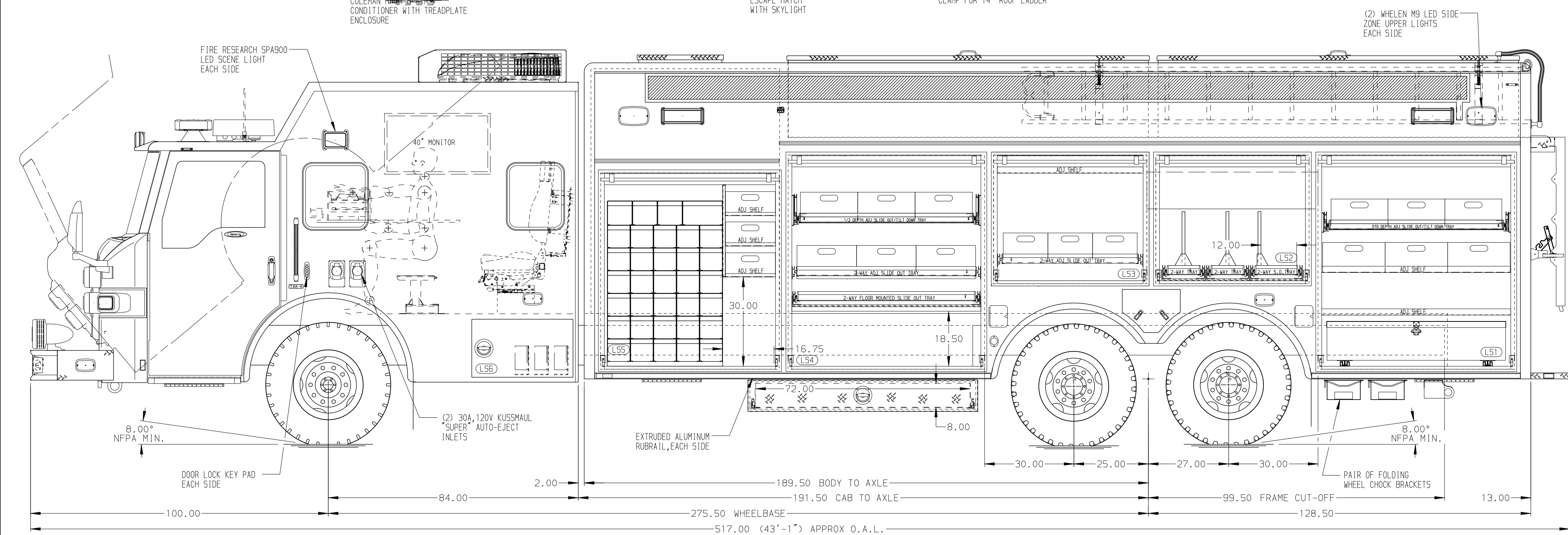
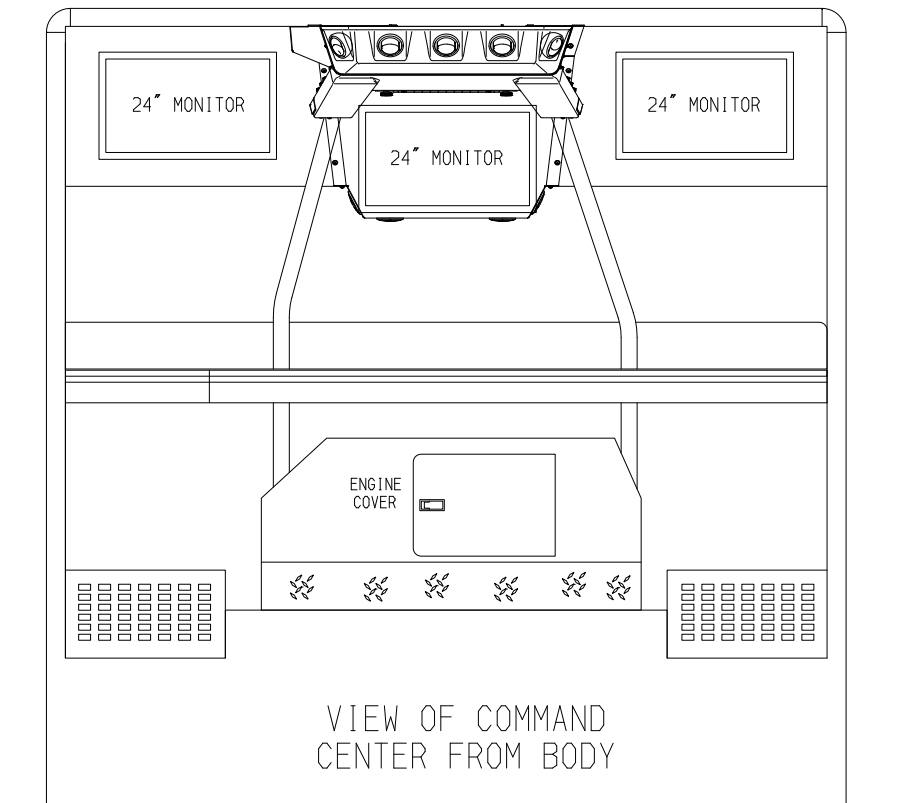


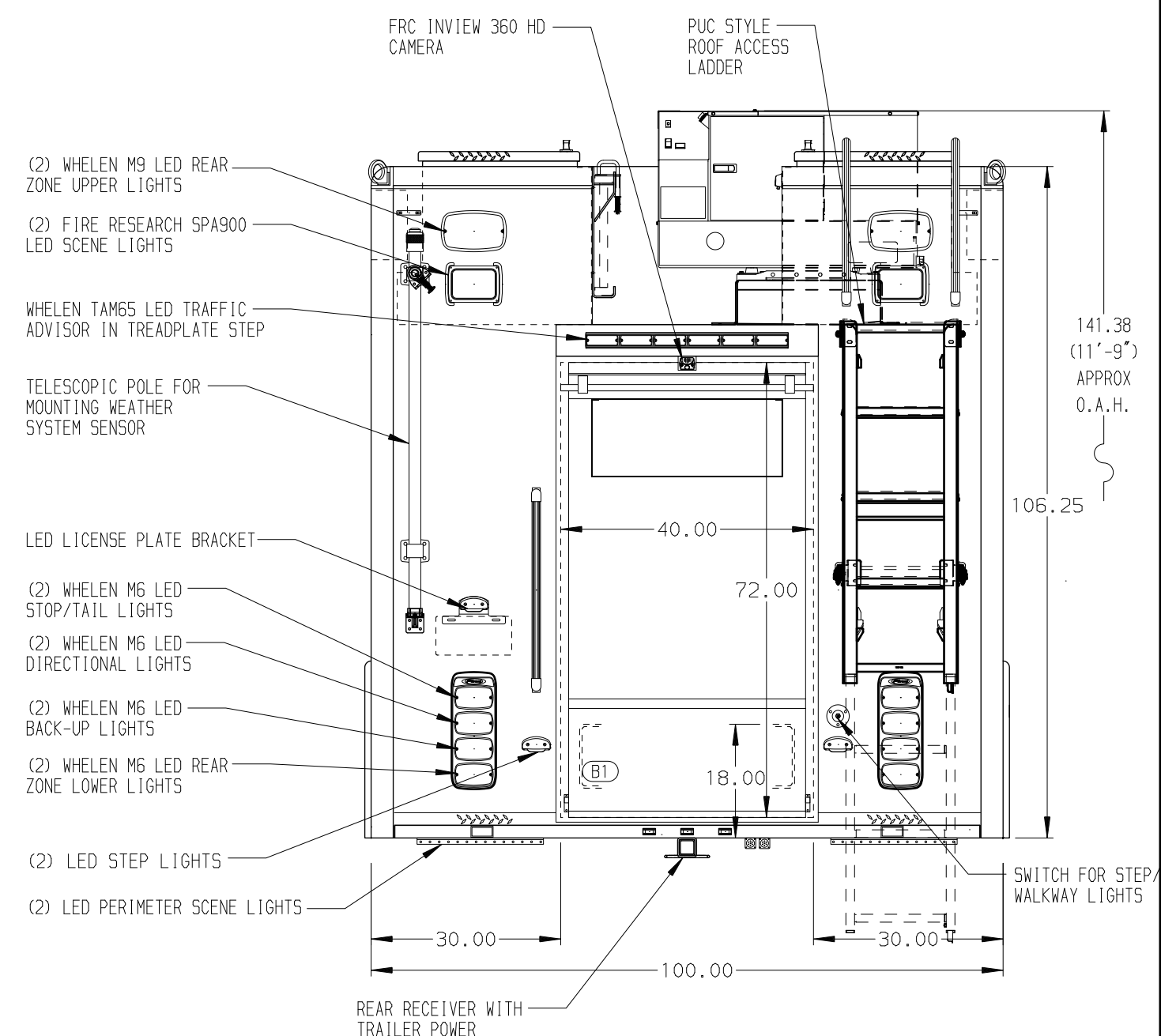
- RIGHT SIDE COMPARTMENTS CONTAIN THE FOLLOWING:**
- COMPARTMENT RS1 CONTAINS:**
- (6) POLY TOOL BOXES
 - (1) SLIDE OUT STORAGE BIN
 - (2) STD DEPTH ADJUSTABLE SHELVES
 - (1) STD DEPTH ADJ SLIDE OUT/TILT TRAY
 - (1) ELECTRIC CORD REEL WITH 200' OF 12/3 YELLOW CORD
- COMPARTMENT RS2 CONTAINS:**
- (3) 2-WAY FLOOR MTD SLIDE OUT TRAYS WITH TOOLBOARDS
 - (1) 20A, 120V DUPLEX RECEPTACLE
- COMPARTMENT RS3 CONTAINS:**
- (1) 40" DP SHELF CENTERED OVER FRAME
 - (1) 2-WAY ADJ SLIDE OUT TRAY
 - (3) POLY TOOL BOXES
- COMPARTMENT RS4 CONTAINS:**
- (1) TRANSVERSE FALSE FLOOR
 - (6) POLY TOOL BOXES
 - (1) 2-WAY ADJ SLIDE OUT TRAY
 - (1) 1/2 DEPTH ADJ SLIDE OUT/TILT TRAY
 - (1) 2-WAY FLOOR MTD SLIDE OUT TRAY
- COMPARTMENT RS5 CONTAINS:**
- (1) STD DEPTH ADJ SLIDE OUT/TILT TRAY
 - (1) 12 DRAWER C-TECH CABINET WITH DIVIDER KIT
 - (3) POLY TOOL BOXES
 - (1) STANDARD DEPTH ADJ SHELF
 - (1) 20A, 120V DUPLEX RECEPTACLE



- REAR COMPARTMENT CONTAINS THE FOLLOWING:**
- COMPARTMENT B1 CONTAINS:**
- (1) STORAGE RACK



- LEFT SIDE COMPARTMENTS CONTAIN THE FOLLOWING:**
- COMPARTMENT LS1 CONTAINS:**
- (6) POLY TOOL BOXES
 - (1) SLIDE OUT STORAGE BIN
 - (2) STD DEPTH ADJUSTABLE SHELVES
 - (1) STD DEPTH ADJ SLIDE OUT/TILT TRAY
 - (3) POLY TOOL BOXES
- COMPARTMENT LS2 CONTAINS:**
- (3) 2-WAY FLOOR MTD SLIDE OUT TRAYS WITH TOOLBOARDS
- COMPARTMENT LS3 CONTAINS:**
- (1) 2-WAY ADJ SLIDE OUT TRAY
 - (1) 40" DP SHELF CENTERED OVER FRAME
 - (3) POLY TOOL BOXES
- COMPARTMENT LS4 CONTAINS:**
- (1) TRANSVERSE FALSE FLOOR
 - (6) POLY TOOL BOXES
 - (1) 2-WAY ADJ SLIDE OUT TRAY
 - (1) 1/2 DEPTH ADJ SLIDE OUT/TILT TRAY
 - (1) 2-WAY FLOOR MTD SLIDE OUT TRAY
- COMPARTMENT LS5 CONTAINS:**
- (1) VERTICAL COMPARTMENT DIVIDER
 - (1) RACK FOR 4 EXTINGUISHERS
 - (1) RACK FOR 35 SCBA BOTTLES
 - (3) STD DEPTH ADJUSTABLE SHELVES
- COMPARTMENT LS6 CONTAINS:**
- (3) PROGRESSIVE DYNAMICS CHARGERS



NOTE
DIMENSIONS SHOWN ARE APPROXIMATE AND ARE SUBJECT TO MINOR DEVIATIONS AS MAY OCCUR OR BE NECESSARY IN CONSTRUCTION. MINOR DETAILS NOT SHOWN.

- NOTES:**
- ONSPOT AUTOMATIC TIRE CHAINS
 - AIR INLET WITH DISCONNECT COUPLING LOCATED IN THE DRIVER'S STEP WELL OF CAB
 - AIR OUTLET WITH SHUT-OFF VALVE LOCATED IN THE DRIVER'S STEP WELL OF CAB
 - POLISHED S/S SCUFFPLATES ON CAB AND CREW CAB DOOR JAMBS
 - POLISHED S/S SCUFFPLATES ON REAR CORNERS OF CREW CAB
 - FLOOR IN CAB AND COMMAND CAB TO BE PADDED RUBBER
 - PIERCE 51000 INTERCOM SYSTEM
 - ELECTRIC DOOR LOCKS ON ALL BODY ROLL-UP DOORS
 - PIERCE LED LIGHTS IN ALL BODY AND HATCH COMPARTMENTS
 - DRI-DECK MATTING IN COMPARTMENT SHELVES, TRAYS, AND FLOORS IN LS4 AND RS4

11. TURTLE TILE MATTING ON HATCH COMPARTMENT AND UNDERBODY COMPARTMENT FLOORS

(SIDE ROLL & FRONTAL IMPACT PROTECTION)

CLEAR DOOR WIDTH KEY			
AMDR ROLL UP DOORS:	-2 1/4"		
GORTITE ROLL UP DOORS:	-2 1/2"		
PIERCE DOUBLE LIP DOORS:	-4 1/4"		
PIERCE LIFT-UP LAP DOORS:	-1 1/2"		
(EX: 60" F-F - 2 1/4" = 57 3/4" CLEAR)			
(F-F) = FRAME TO FRAME			

Pierce MANUFACTURING INC.		JOB NO.	37366
		SCALE	DATE
		1:24	08JUN22
		DRAWN BY	08JUN22
		DHE	
		CHECKED BY	09JUN22
		AZU	
		SHEET SIZE	SHEET NO.
		D	1 OF 2